

FORGED BRASS BALL VALVES



SERIES 220

2-PIECE, FORGED BRASS, FULL PORT, THREADED ENDS (1/4" TO 2" WITH CSA/UL/FM/NSF61 APPROVAL), 600 WOG (2-1/2" TO 4": 400 WOG/600 WOG OPTIONAL), 150 SWP, VALVES CONFORM TO FEDERAL SPECIFICATION WW-V-35, TYPE II CLASS A, STYLE 3 AND MSS SP-110.

UL APPROVAL:

- Trim and Drain (300 PSI)
- Compressed Gas Shut-off Valves (600PSI)
- Flammable Liquid Shut-Off Valves (600PSI)
- Gas Shut-off Valves (600PSI)
- LP-Gas Shut-Off Valves (600PSI)
- Manual Valves (600PSI)

FM APPROVAL:

- 600PSI Rating

CSA APPROVAL:

- Pilot Adjustable National Standard of Canada. Class 3371-08 Requirement Can1-91
- Gas Lever Non Lubricated Shut-off Valve. Class 3371-10 Requirement CGA-3.16
- Manual Gas Valves on Piping Systems. Class 3371-12. Requirement CGA CR-9102
- General Gas Valve US Standard. Class 3371-88. Requirement ANSI Z 21.15
- Gas Manual Valve House Piping System. Class 3371.92. Requirement IAS US Regulations 3.88
- Manual Gas Valve Metallic in Piping Systems US Standards. Class 3371-94. Requirements ANSI/ ASME B 16.33. -20/ 150 F

NSF 61 APPROVAL:

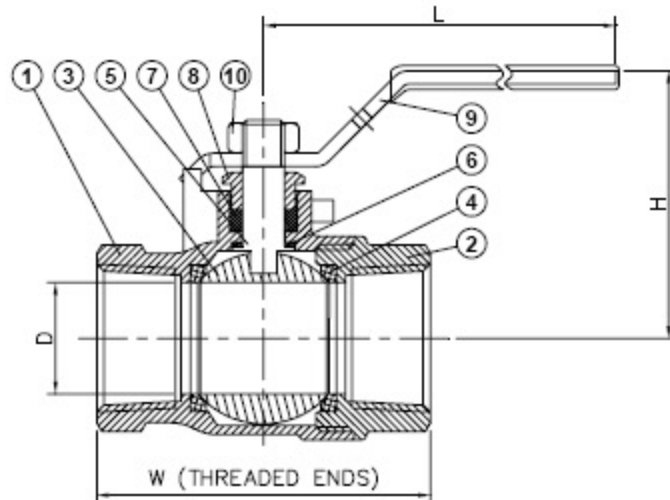
- Obtained NSF61 Section 8 certificate through IAPMO.
- Compliant to Prop65 standard and the testing result is below 5ppb.

MATERIALS LIST:

NO.	PART	SPECIFICATION
1	BODY	FORGED BRASS ASTM C37700
2	END CAP	FORGED BRASS ASTM C37700
3	BALL	BRASS ASTM C85700 or ASTM C37700
4	SEAT	PTFE
5	STEM	BRASS ASTM B16
6	THRUST WASHER	PTFE
7	PACKING	PTFE
8	GLAND	BRASS ASTM B16
9	HANDLE	CARBON STEEL PLATED
10	NUT	CARBON STEEL PLATED

OPTION: (Code: Description)

- AG: Locking Handle
- AE: Wing Handle
- AQ: Extended Stem Kit
- TG: Memory Stop



220-TF



DIMENSIONS:

SIZE		D		W		H		L	
IN	MM	IN	MM	IN	MM	IN	MM	IN	MM
1/4"	8.0	0.37	9.5	1.81	46.0	1.37	34.9	3.23	82.0
3/8"	10.0	0.37	9.5	1.81	46.0	1.37	34.9	3.23	82.0
1/2"	15.0	0.50	12.7	2.12	53.7	1.45	36.9	3.23	82.0
3/4"	20.0	0.75	19.0	2.41	61.2	1.78	45.1	3.94	100.0
1"	25.0	0.98	25.0	2.96	75.1	2.29	58.1	4.72	120.0
1-1/4"	32.0	1.22	31.0	3.28	83.4	2.44	62.1	4.72	120.0
1-1/2"	40.0	1.50	38.0	3.67	93.1	3.00	76.3	7.09	160.0
2"	50.0	1.97	50.0	4.21	107.0	3.30	83.9	7.09	160.0
2-1/2"	65.0	2.50	63.5	5.38	136.6	4.59	116.5	8.66	220.0
3"	80.0	3.00	76.2	6.06	154.0	4.92	125.0	8.66	220.0
4"	100.0	3.98	101.0	7.39	187.7	5.73	145.5	9.84	250.0

DUE TO CONTINUOUS DEVELOPMENT OF OUR PRODUCTS, WE RESERVE THE RIGHT TO MODIFY OUR PRODUCT DESIGN OR CONSTRUCTION WITHOUT PRIOR NOTICE.