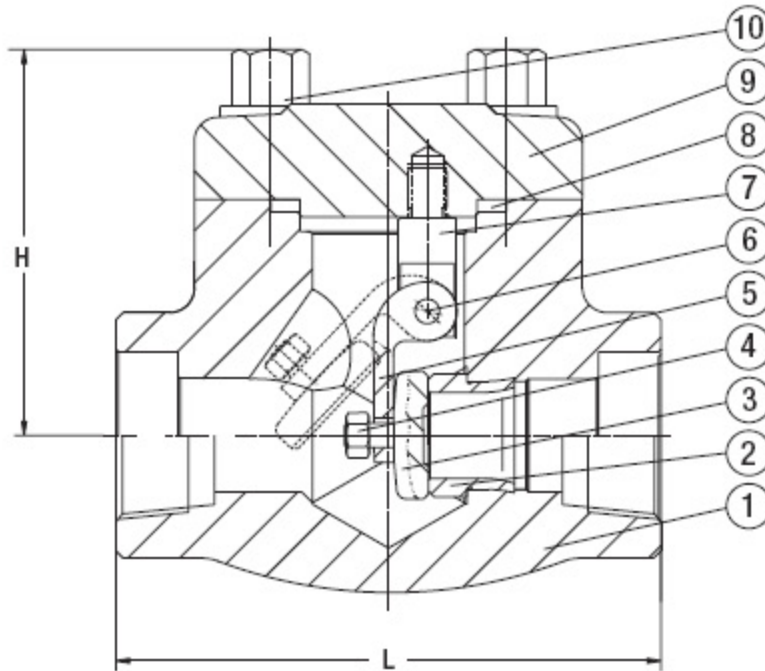


800 lb and 1500 lb Swing Check Valves



F801T (Threaded) 800 lb F801SW (Socket Weld)
 F1501T (Threaded) 1500 lb F1501SW (Socket Weld)

Material Specifications NO.	Part Name	ASTM Type A105	ASTM Type F22	ASTM Type F304(L)	ASTM Type F316(L)
1	Body	A105	A182 F22	A182 F304(L)	A182 F316(L)
2	Seat	A276 410	A276 304	A276 304(L)	A276 316(L)
3	Swing Disc	A276 420	A276 304	A276 304(L)	A276 316(L)
4	Nut	A194 2H	A194 4	A194 8	A194 8M
5	Hinge	A105	A182 F22	A182 F304 L	A182 F316(L)
6	Pin	A276 420	A276 420	A182 F304	A182 F316
7	Pontlevis	A105	A182 F22	A182 F304 L	A182 F316(L)
8	Gasket	Corrugated SS+graphite	Corrugated SS+graphite	SS+PTFE	SS+PTFE
9	Bonnet	A105	A182 F22	A182 F304 L	A182 F316(L)
10	Bolt	A193 B7	A193 B16	A193 B8M	A193 B8M
	Suitable Medium	W.O.G. etc.	W.O.G. etc.	HNO ₃ , CH ₃ OOH etc	HNO ₃ , CH ₃ OOH etc
	Suitable Temperature	-20°C~425°C	-29°C~550°C	-29°C~180°C	-29°C~180°C

Note: Other materials are available upon request.

Dimensions (in) and Weights (lb)

NPS		3/8	1/2	3/4	1	1-1/4	1-1/2	2
L	800#	3.11	3.11	3.62	4.37	4.72	4.72	5.51
	900-1500#	3.62	4.37	4.37	4.72	4.72	5.51	7.01
H	800#	2.40	2.40	3.07	3.31	3.98	4.72	5.24
	900-1500#	3.11	3.11	3.11	3.82	4.13	4.72	5.51
Weights	800#	2.43	2.21	4.19	8.60	9.92	16.10	22.05
	900-1500#	6.84	6.62	7.94	9.48	13.45	19.40	27.78