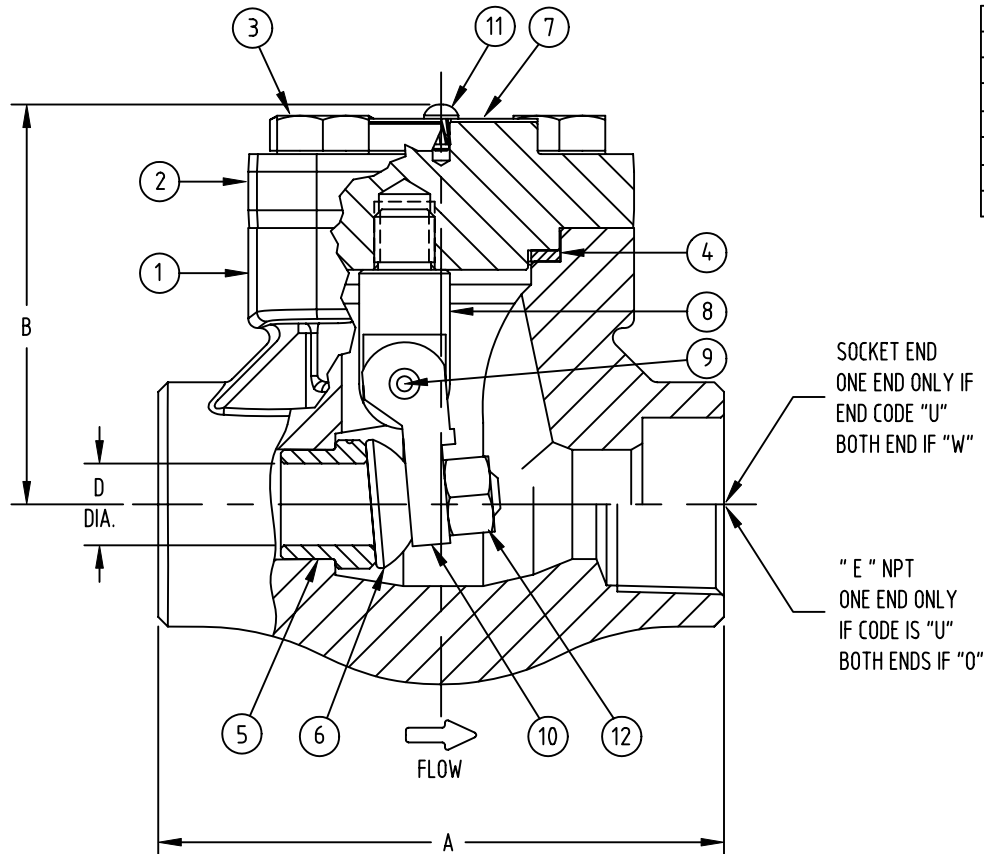


NOTES

1. VALVE COMPLIES WITH DESIGN AND TESTING FEATURES OF API 602
2. DESIGN AND PRESSURE/TEMPERATURE RATING TO ASME/ANSI B16.34
3. INSTALL HORIZONTAL ONLY - CAP UP

LIST OF PARTS

ITEM	DESCRIPTION	QTY.	MATERIAL	SPECIFICATION
1	BODY	1	FORGED CARBON STEEL, PHOSPHATED	ASTM A105
2	CAP	1	FORGED CARBON STEEL, PHOSPHATED	ASTM A105
3	CAPSCREW	4	ALLOY STEEL	ASTM A193 Gr. B7
4	GASKET	1	AISI 304 WITH GRAPHITE FILLER	API 602
5	SEAT	1	410 STAINLESS STEEL w/ STELLITE FACE	ASTM A182 F6 w/ STELLITE
6	DISC	1	410 STAINLESS STEEL or 420 STAINLESS	ASTM A276
7	NAMEPLATE	1	ALUMINUM	COMMERCIAL (BLUE= 13 Cr TRIM)
8	PIN	1	410 STAINLESS STEEL	ASTM A182 F6
9	HINGE PIN	1	STAINLESS STEEL	COMMERCIAL
10	HINGE ARM	1	410 STAINLESS STEEL	ASTM A182 F6
11	DRIVE SCREW	1	STAINLESS STEEL	COMMERCIAL
12	DISC NUT	1	ALLOY STEEL	ASTM A194 2H



DIMENSIONAL DATA

SIZE	1/4"	3/8"	1/2"	3/4"	1"	1 1/4"	1 1/2"	2"
A	81	81	88	110	128	154	170	210
B	58	58	63	74	78	95	105	123
D	7	9.5	12.7	18	23.8	30.5	36.5	45.7
E	1/4-18	3/8-18	1/2-14	3/4-14	1-11 1/2	1 1/4 -11 1/2	1 1/2 -11 1/2	2 -11 1/2
WEIGHT (Kg)	1.4	1.4	1.7	2.7	3.4	5.7	8.7	14



FIGURE SW80
A105 w/ Tr. 8
CLASS 800 FORGED STEEL
BOLTED CAP CHECK VALVE

SIZE A	DRAWING NO. SW80 0000*	REV. 0
-----------	---------------------------	-----------