

Class 125 • Bolted Cap • Flanged Ends

Features

- Design prohibits galling or scoring of seating surfaces because the disc meets the flat seat squarely on closing with no rubbing action
- Replaceable Bronze Seat Rings
- Bronze Hinges in 6" and smaller, ductile iron in larger sizes
- Large Bolted-on Cover
- Solid Bronze Disc 6" and smaller, Bronze Faced Cast Iron on larger sizes
- Replaceable Brass Hinge Pins
- ANSI/ASME B16.1, MSS-SP-71 Type 1 and MSS-SP-25
- ANSI/ASME B16.10 - 14" and smaller

For more detailed features, refer to page 35.

Figure 373

Flanged with Bronze Trim

Size Range:

2 through 24 inches

Working Pressures Non-Shock

2"-12"

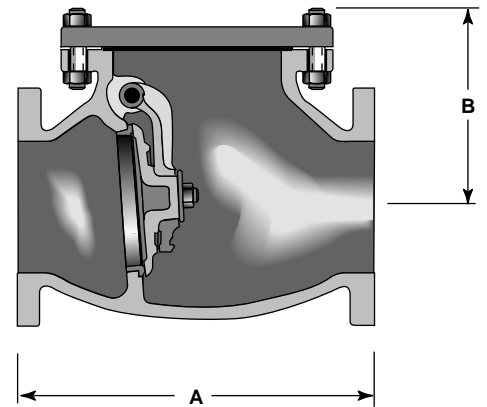
125 psi Steam, Basic Rating

200 psi Cold Working Pressure

14"-24"

100 psi Steam, Basic Rating

150 psi Cold Working Pressure



Principal Parts & Materials

Fig. No.	Size	Seating	End Conn.
373	2" - 24"	Bronze	Flanged

Dimensions and Weights

Inches (millimeters) - pounds (kilograms)

Valves	2 (50)	2 1/2 (65)	3 (80)	4 (100)	5 (125)	6 (150)	8 (200)	10 (250)	12 (300)	14 (350)	16 (400)	18 (450)	20 (500)	24 (600)
A	8.00 (203)	8.50 (216)	9.50 (241)	11.50 (292)	13.00 (330)	14.00 (356)	19.50 (495)	24.50 (622)	27.50 (699)	31.00 (787)	36.00 (914)	38.00 (965)	42.00 (1067)	46.00 (1169)
B	4.50 (114)	5.38 (137)	5.88 (149)	6.62 (168)	7.75 (197)	8.25 (210)	10.25 (260)	12.00 (305)	13.75 (349)	16.00 (406)	18.00 (457)	24.00 (610)	27.56 (700)	31.00 (787)
Wt.	25 (11)	34 (15)	44 (20)	75 (34)	103 (47)	127 (58)	230 (104)	510 (231)	695 (315)	960 (435)	1450 (658)	1901 (864)	2530 (1149)	3366 (1529)