

Figure 37

Bronze Swing Check Valve



Class 125 • Y-Pattern • Threaded Ends

Figure 37

Size Range:

1/4" through 3"

Working Pressures Non-Shock:

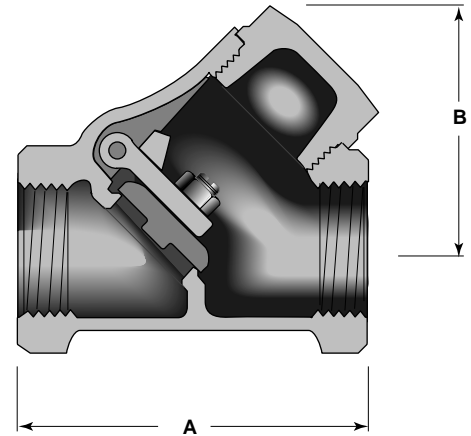
125 psi Steam, Basic Rating

200 psi Cold Working Pressure

Features

- Y-Pattern Body with Integral Seat
- Seat can be reground while the valve remains in the line
- Threaded Ends
- Always install with pressure under the disc in vertical or horizontal position. An arrow cast on the body indicates the correct direction of flow.
- Screwed Cap
- MSS Specification SP-80

For more detailed features, refer to page 46.



Principal Parts & Materials

Part	Sizes	Material	ASTM
Body	All	Bronze	B62 alloy C83600
Cap	All	Bronze	B61 alloy C92200
Disc	1/4"-3/4"	Brass	B16 H02
Disc	1" - 3"	Bronze	B61 alloy C92200
Hinge	All	Bronze	B584 alloy C87600
Hinge pin	All	Stainless Steel	18-8

Dimensions and Weights

Inches (millimeters) - pounds (kilograms)

	1/4 (6)	3/8 (10)	1/2 (15)	3/4 (20)	1 (25)	1 1/4 (32)	1 1/2 (40)	2 (50)	2 1/2 (65)	3 (80)
A	2.18 (55)	2.18 (55)	2.19 (56)	2.75 (70)	3.24 (82)	3.84 (98)	4.40 (112)	5.18 (132)	6.13 (156)	7.40 (188)
B	1.50 (38)	1.50 (38)	1.63 (41)	1.91 (49)	2.50 (64)	2.90 (74)	3.42 (87)	4.19 (106)	5.09 (129)	5.95 (151)
WTS.	0.60 (0.27)	0.60 (0.27)	0.70 (0.32)	1.10 (0.50)	1.80 (0.82)	2.60 (1.18)	3.90 (1.77)	6.10 (2.77)	10.30 (4.67)	15.10 (6.85)