



## Class 300 • Threaded Ends

### Features

- Lift Check Design
- Threaded Ends
- Union Cap
- For more detailed features, refer to page 46.

### Figure 366E

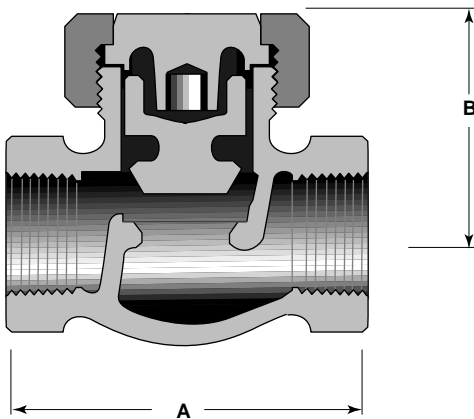
#### Size Range:

1/2" through 2"

#### Working Pressures Non-Shock:

300 psi Steam, Basic Rating at 450° F

1000 psi Cold Working Pressure



### Principal Parts & Materials

Part	Sizes	Material	ASTM
Body	All	Bronze	B62 alloy C83600
Disc	All	Bronze	B62 alloy C83600
Cap	1/2"	Bronze	B138 alloy C67500
Cap	3/4" - 2	Bronze	B62 alloy C83600
Union ring	All	Bronze	B62 alloy C83600

### Dimensions and Weights

Inches (millimeters) - pounds (kilograms)

	1/2 (15)	3/4 (20)	1 (25)	1 1/4 (32)	1 1/2 (40)	2 (50)
A	2.50 (64)	2.94 (75)	3.50 (89)	4.06 (103)	4.62 (117)	5.75 (146)
B	1.46 (37)	1.88 (48)	2.00 (51)	2.38 (60)	2.62 (66)	3.25 (83)
WTS.	1.0 (.45)	1.7 (.77)	2.6 (1.20)	4.1 (1.88)	5.6 (2.56)	10.0 (4.55)