

Class 200 • Y-Pattern • Threaded Ends

Features

- Y-Pattern Body
- Threaded Ends
- Screwed Cap
- Rotating disc virtually eliminates "spot" seat wear.
- Always install with pressure under the disc in vertical or horizontal position. An arrow cast on the body indicates the correct direction of flow.
- MSS Specification SP-80

For more detailed features, refer to page 46.

Figure 36

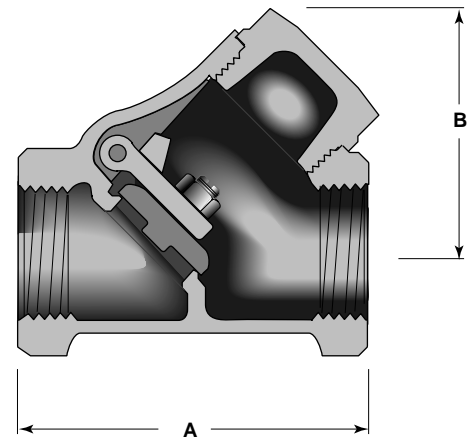
Size Range:

1/4" through 3"

Working Pressures Non-Shock:

200 psi Steam, Basic Rating

400 psi Cold Working Pressure



Principal Parts & Materials

Part	Sizes	Material	ASTM
Body & cap	All	Bronze	B61 alloy C92200
Hinge	All	Bronze	B584 alloy C87600
Disc	1/4" - 3/4"	Brass	B16 H02
Disc	1" - 3"	Bronze	B61 alloy C92200
Hinge Pin	All	Stainless Steel	18-8

Dimensions and Weights

Inches (millimeters) - pounds (kilograms)

	1/4 (6)	3/8 (10)	1/2 (15)	3/4 (20)	1 (25)	1 1/4 (32)	1 1/2 (40)	2 (50)	2 1/2 (65)	3 (80)
A	2.18 (55)	2.18 (55)	2.19 (56)	2.75 (70)	3.21 (82)	3.87 (98)	4.40 (112)	5.18 (132)	6.94 (176)	8.25 (210)
B	1.52 (39)	1.52 (39)	1.67 (42)	1.95 (50)	2.55 (65)	3.01 (76)	3.40 (86)	4.30 (109)	4.69 (119)	5.97 (152)
WTS.	0.60 (0.27)	0.60 (0.27)	0.80 (0.36)	1.20 (0.54)	1.90 (0.86)	2.70 (1.22)	4.30 (1.95)	7.10 (3.22)	13.90 (6.30)	21.60 (9.80)