

**Class 300 • Bolted Cap**

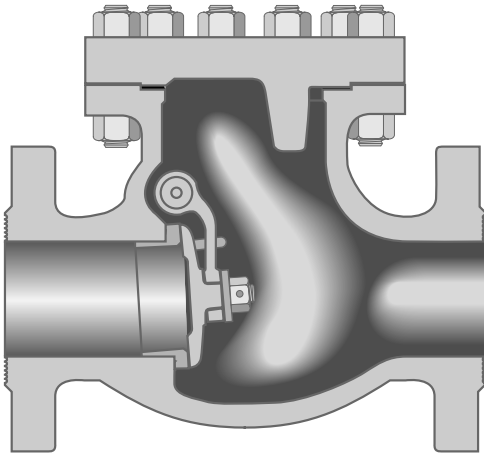


Figure 159  
Flanged  
Figure 159<sup>1/2</sup>  
Butt Weld

**Size Range:**  
2 through 24 inches

**Pressure Temperature Rating**  
Carbon Steel  
ASTM A216 Grade WCB  
740 psi @ -20°F to 100°F

### Material of Construction

Description	Material
Body	WCB
Cap	WCB
Seat Ring	Hardfaced
Disc	13% CR Overlay
Hinge	WCB
Pins, Hinge	410 SS
Disc Washer	Steel
Cap Screw	A307 Gr. B
Cap Gasket	Spiral Wound
Cap Studs	A193 Gr. B7
Cap Nuts	A194 Gr. 2H
I.D. Tags	SS
I.D. Pins	Steel

### Industry Standards

Steel Valves	ANSI B16.34
Face-to-Face/End-to-End	ANSI B16.10
Flange Dimensions	ANSI B16.5
Weld End	ANSI B16.25
Testing	API 598
Acceptance	API RP591

### Dimensions and Weights

Valve Size	Weight (pounds)		Dimensions (inches)	
			A	B
	159	159 <sup>1/2</sup>	159 & 159 <sup>1/2</sup>	
2	46	33	10.50	6.75
2 <sup>1/2</sup>	66	49	11.50	7.38
3	86	66	12.50	8.50
4	154	97	14.00	9.25
5	255	203	15.75	10.62
6	276	216	17.50	11.88
8	420	330	21.00	13.38
10	640	500	24.50	13.88
12	1000	830	28.00	16.62
14	1550	1100	33.00	18.88
16	1700	1400	34.00	20.50
18	2200	1900	38.50	23.62
20	2800	2425	40.00	26.38
24	3650	3100	53.00	29.62

