

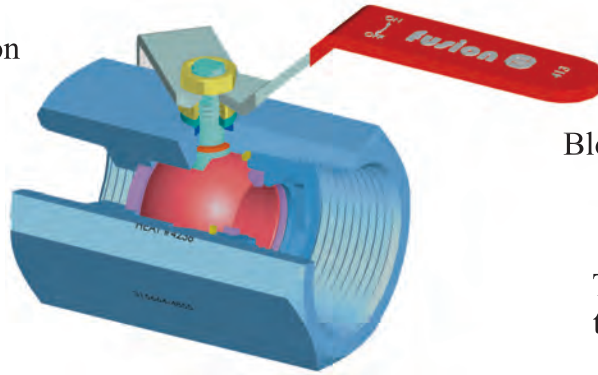
# SERIES 413



## Unibody Regular Port Threaded 1/4"~2" Class 800(2000 WOG)

Carbon steel construction  
"ONLY"

Body notch provide  
fully open/closed  
position



Blowout proof stem

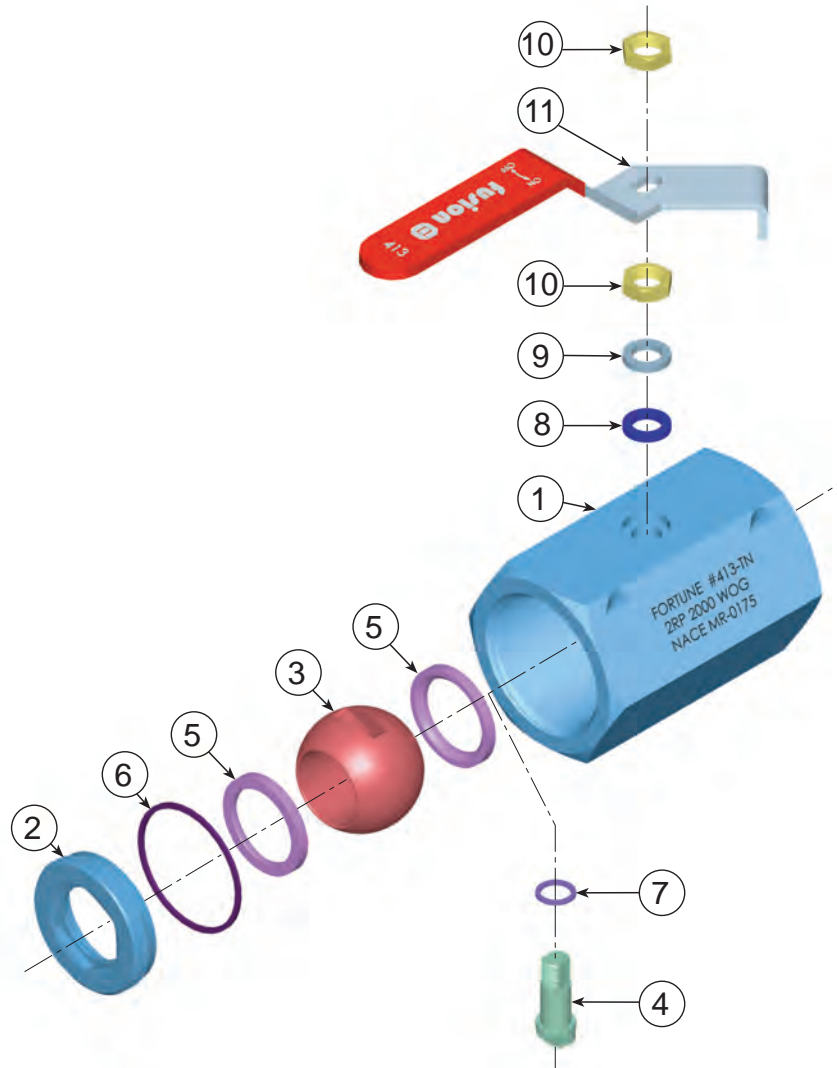
Threaded end  
to ASME B1.20.1

# SERIES 413



2000 WOG

THREADED END CONNECTIONS CARBON STEEL "ONLY"



## MATERIALS LIST

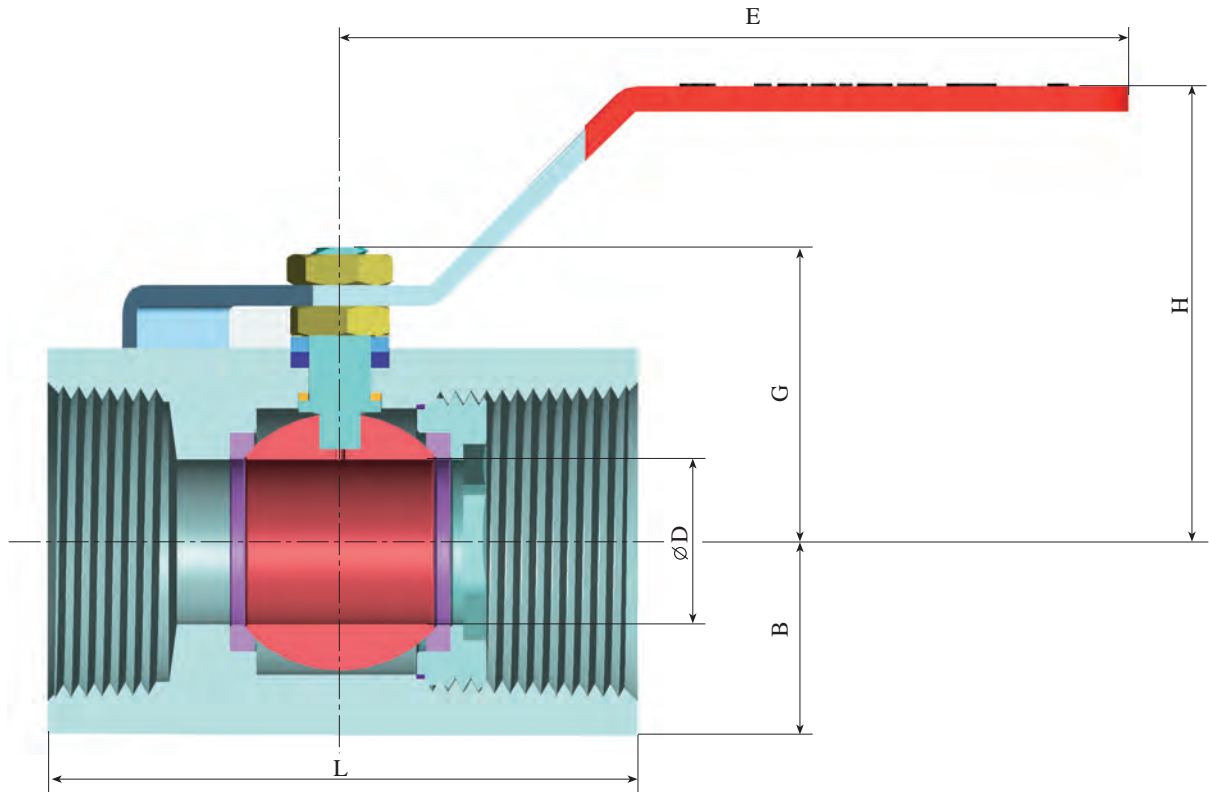
ITEM	PART	SOUR (NACE)	Q' TY
1	BODY	A108	1
2	SEAT RETAINER	ASTM A216 WCB or A108	1
3	BALL	ASTM A351 CF8M	1
4	STEM	ASTM A479 316	1
☆ 5	SEAT	RTFE	2
☆ 6	GASKET	PTFE	1
☆ 7	THRUST WASHER	RTFE	1
☆ 8	PACKING	PTFE	1
9	GLAND	304SS	1
◇ 10	NUT	C/S PLATED	2
11	HANDLE	C/S PLATED WITH VINYL GRIP	1

Note: ☆ Minor repair kit; ◇ Item 10: is a nut and spring washer for 1/4" and 3/8" only

# SERIES 413

2000 WOG

## THREADED END CONNECTIONS



### DIMENSIONS

SIZE	WOG / PN	D		L		B		G		H		E		Cv	WEIGHT
		in / mm	in / mm	in / mm	in / mm	in / mm	in / mm	in / mm	in / mm	in / mm	in / mm	gal/min	kg		
1/4 / 8	2000 / 130	0.20 / 5	1.70 / 43	0.41 / 11	0.70 / 18	1.35 / 34	2.63 / 67	2	0.1						
3/8 / 10	2000 / 130	0.28 / 7	1.86 / 47	0.50 / 13	0.90 / 23	1.46 / 37	2.63 / 67	3	0.2						
1/2 / 15	2000 / 130	0.36 / 9	2.46 / 63	0.59 / 15	1.07 / 27	2.30 / 58	4.65 / 118	5	0.4						
3/4 / 20	2000 / 130	0.49 / 13	2.75 / 70	0.71 / 18	1.20 / 31	2.44 / 62	4.65 / 118	9	0.5						
1 / 25	2000 / 130	0.63 / 16	3.38 / 86	0.91 / 23	1.51 / 38	2.71 / 69	4.72 / 120	13	1.0						
1 1/4 / 32	2000 / 130	0.79 / 20	3.69 / 94	1.08 / 28	1.79 / 46	2.98 / 76	5.75 / 146	21	1.4						
1 1/2 / 40	2000 / 130	0.96 / 25	4.00 / 102	1.20 / 31	1.99 / 51	3.16 / 80	5.75 / 146	32	1.8						
2 / 50	2000 / 130	1.26 / 32	4.50 / 114	1.48 / 38	2.26 / 58	3.49 / 89	6.00 / 153	55	2.9						

NOTE: "L" DIMENSION ± 0.06 in./1.5 mm