

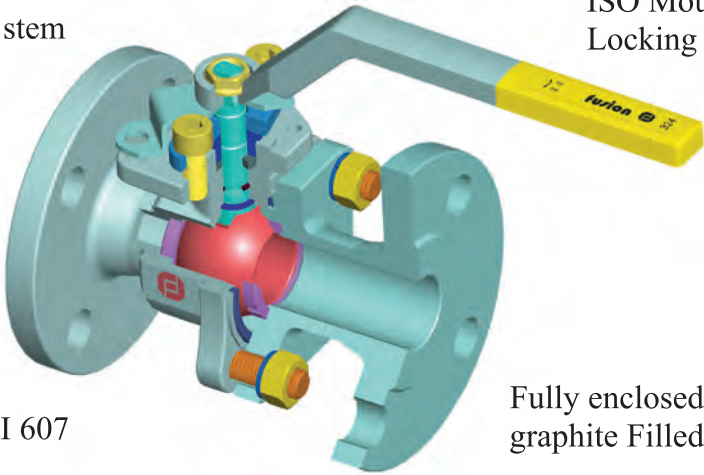
# SERIES 324



## Full Port Flange Valve 1/2" ~ 6" Class 150/Class 300 Raised Face

Blowout proof stem  
with "O" ring  
Anti-static

ISO Mounting pad  
Locking device Standard



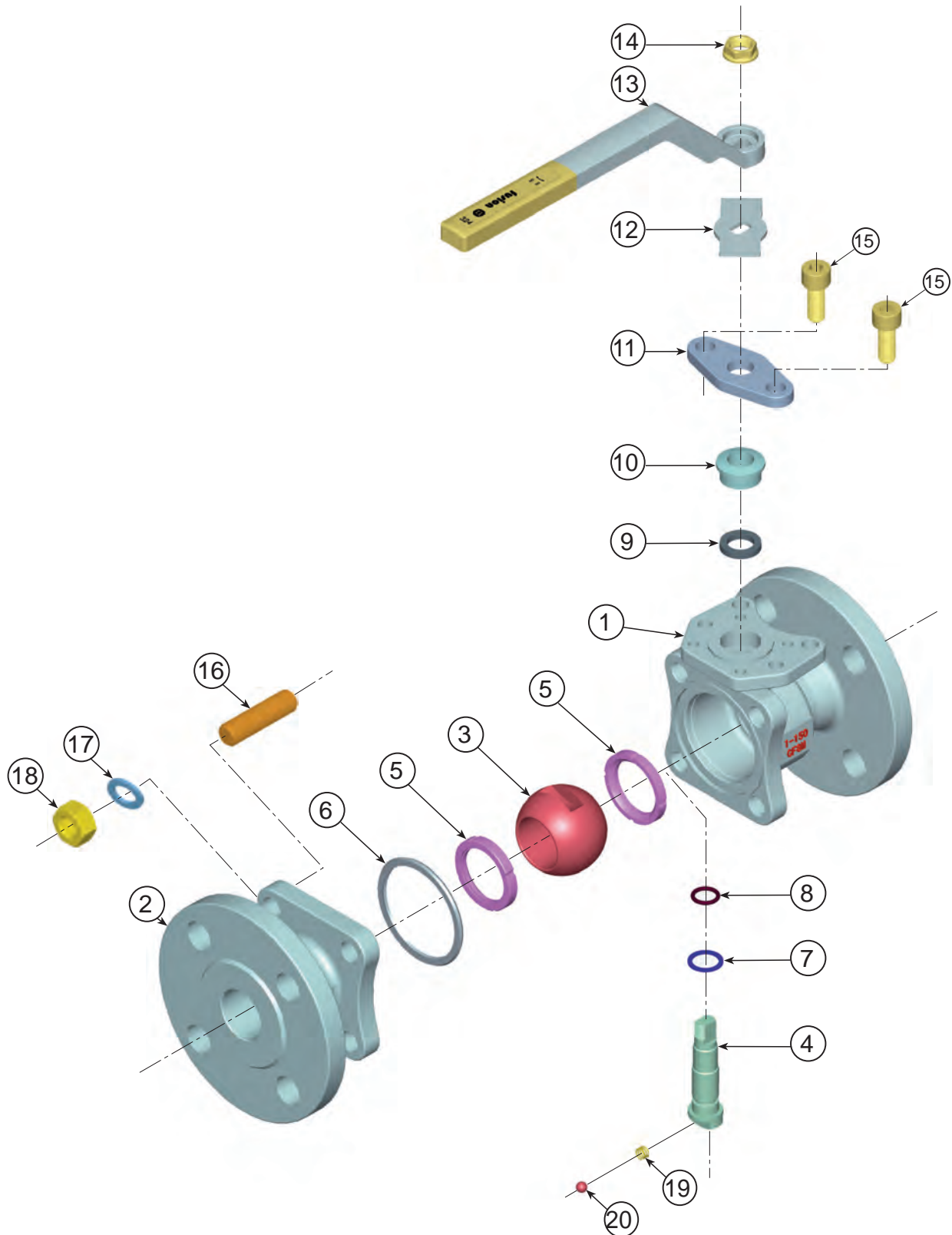
Fire safe to API 607

Fully enclosed spiral wond  
graphite Filled SS body gasket

# SERIES 324

Class 150 and Class 300

FLANGED BALL VALVE FULL PORT



# SERIES 324

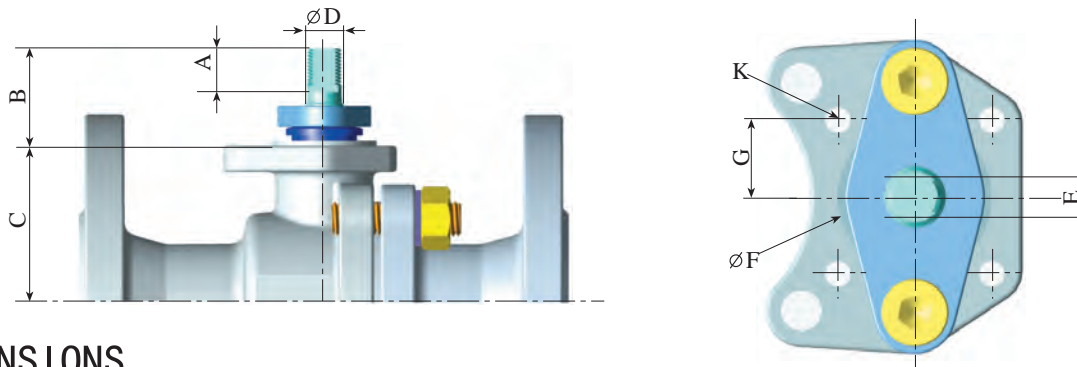


## MATERIALS LIST

ITEM	PART	STAINLESS STEEL	SOUR LOW TEMP (NACE)	SOUR (NACE)	Q' TY
1	BODY	ASTM A351 CF8M	ASTM A352 LCC	ASTM A216 WCB	1
2	END CAP	ASTM A351 CF8M	ASTM A352 LCC	ASTM A216 WCB	1
3	BALL	ASTM A351 CF8M	ASTM A351 CF8M	ASTM A351 CF8M	1
4	STEM	ASTM A479 316	ASTM A479 316	ASTM A479 316	1
☆ 5	SEAT	RTFE	RTFE	RTFE	2
☆ 6	SPRIAL WOUND GASKET	316+GRAPHITE	316+GRAPHITE	316+GRAPHITE	1
☆ 7	THRUST WASHER	RTFE	RTFE	RTFE	1
☆ 8	STEM O-RING	VITON	VITON	VITON	1
☆ 9	PACKING	GRAPHITE	GRAPHITE	GRAPHITE	1
10	GLAMD	304SS	A108	A108	1
11	GLAND FLANGE	CF8	C/S	C/S	1
12	STOPER	304SS	C/S	C/S	1
13	HANDLE	CF8	C/S	C/S	1
14	HANDLE NUT	304SS	C/S	C/S	1
15	CAP SCREWS	ASTM A193 B8	ASTM A193 B8	ASTM A193 B7M	2
16	STUD	ASTM A193 B8	ASTM A193 B8	ASTM A193 B7M	4~12
17	SPRING WASHER	304SS	304SS	C/S	4~12
18	NUT	ASTM A194 8	ASTM A194 8	ASTM A194 2HM	4~12
19	SPRING	304SS	304SS	304SS	1
20	ANTISTATIC BALL	304SS	304SS	304SS	1

Note: ☆ Minor repair kit;

## ACTUATOR MOUNTING DIMENSIONS



## DIMENSIONS

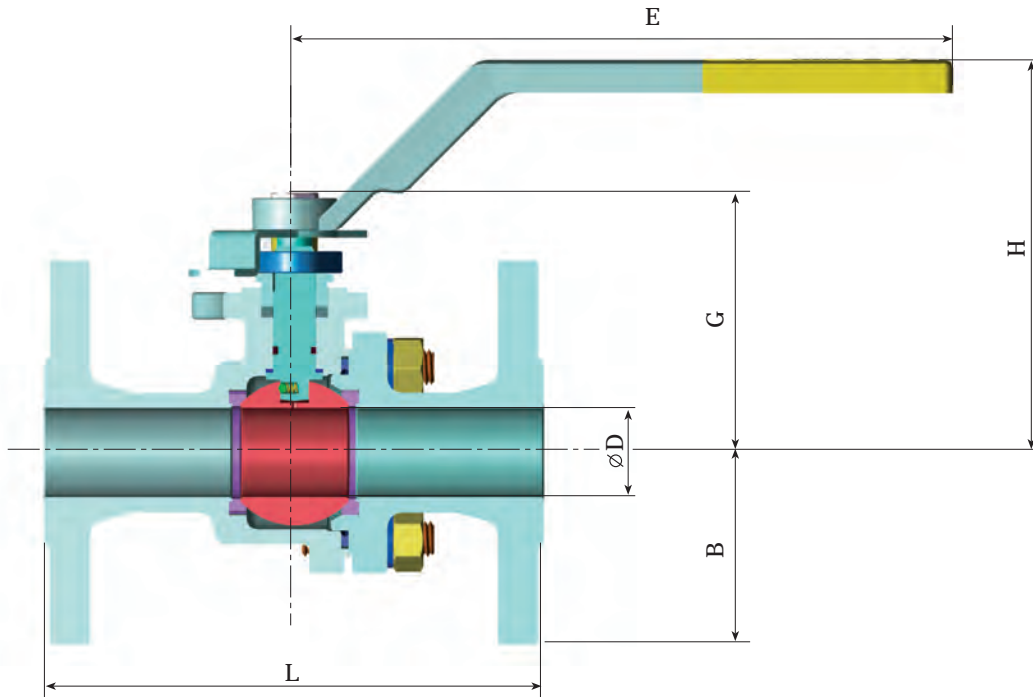
SIZE	CLASS/PN	A	B	C	D	E	F	G	K
		in / mm	in / mm	in / mm	in / mm	in / mm	in / mm	in / mm	mm
1/2 / 15	150 / 20	0.37 / 9.5	0.75 / 19	1.02 / 26	0.39 / 10	0.20 / 5	0.75 / 19	0.39 / 9.9	M5X5 DEEP
	300 / 80	0.37 / 9.5	0.75 / 19	1.02 / 26	0.39 / 10	0.20 / 5	0.75 / 19	0.39 / 9.9	M5X5 DEEP
3/4 / 20	150 / 20	0.37 / 9.5	0.81 / 20.5	1.28 / 32.5	0.39 / 10	0.20 / 5	0.98 / 25	0.50 / 12.7	M6X6 DEEP
	300 / 50	0.37 / 9.5	0.81 / 20.5	1.28 / 32.5	0.39 / 10	0.20 / 8	0.98 / 25	0.50 / 12.7	M6X6 DEEP
1 / 28	150 / 20	0.39 / 10	0.91 / 23	1.77 / 45	0.47 / 12	0.24 / 6	1.18 / 30	0.58 / 14.8	M6
	300 / 50	0.39 / 10	0.91 / 23	1.77 / 45	0.47 / 12	0.24 / 6	1.18 / 30	0.58 / 14.8	M6
1 1/2 / 40	150 / 20	0.67 / 17	1.24 / 31.5	2.34 / 59.5	0.63 / 16	0.37 / 9.5	1.38 / 35	0.70 / 17.7	M6
	300 / 50	0.67 / 17	1.24 / 31.5	2.34 / 59.5	0.63 / 16	0.37 / 9.5	1.38 / 35	0.70 / 17.7	M6
2 / 50	150 / 20	0.67 / 17	1.24 / 31.5	2.70 / 68.5	0.63 / 16	0.37 / 9.5	1.38 / 35	0.70 / 17.7	M6
	300 / 50	0.67 / 17	1.24 / 31.5	2.70 / 68.5	0.63 / 16	0.37 / 9.5	1.38 / 35	0.70 / 17.7	M6
2 1/2 / 65	150 / 20	0.87 / 22	1.69 / 43	3.11 / 79.0	0.79 / 20	0.47 / 12	2.17 / 55	0.97 / 24.7	M8
	300 / 50	0.87 / 22	1.69 / 43	3.11 / 79.0	0.79 / 20	0.47 / 12	2.17 / 55	0.97 / 24.7	M8X9 DEEP
3 / 80	150 / 20	0.87 / 22	1.65 / 42	3.54 / 90.0	0.79 / 20	0.47 / 12	2.17 / 55	0.97 / 24.7	M8X10 DEEP
	300 / 50	0.87 / 22	1.65 / 42	3.54 / 90.0	0.79 / 20	0.47 / 12	2.17 / 55	0.97 / 24.7	M8X10 DEEP
4 / 100	150 / 20	1.32 / 33.5	2.32 / 59	4.76 / 121	1.50 / 38	0.94 / 24	2.76 / 70	1.42 / 36.1	M10
	300 / 50	1.32 / 33.5	2.32 / 59	4.76 / 121	1.50 / 38	0.94 / 24	2.76 / 70	1.42 / 36.1	M10X10 DEEP
6 / 150	150 / 20	1.32 / 33.5	2.32 / 59	6.30 / 160	1.50 / 38	0.94 / 24	3.35 / 85	1.74 / 44.2	M12
	300 / 50	1.32 / 33.5	2.32 / 59	6.30 / 160	1.50 / 38	0.94 / 24	3.35 / 85	1.74 / 44.2	M12

# SERIES 324



Class 150 and Class 300

## FLANGED BALL VALVE FULL PORT



### DIMENSIONS

SIZE in / DN	CLASS/PN	D		L		B		G		H		E		C <sub>v</sub> gal/min
		in / mm	in / mm	in / mm	in / mm	in / mm	in / mm	in / mm	in / mm	in / mm	in / mm			
1/2 / 15	150 / 20	0.50 / 13	4.25 / 108	1.75 / 45	1.78 / 45	3.69 / 94	6.30 / 160	26						
	300 / 50	0.50 / 13	5.50 / 140	1.87 / 48	1.78 / 45	3.69 / 94	6.30 / 160	26						
3/4 / 20	150 / 20	0.75 / 19	4.62 / 117	1.94 / 49	2.07 / 53	3.98 / 101	6.30 / 160	61						
	300 / 50	0.75 / 19	6.00 / 152	2.31 / 59	2.07 / 53	3.98 / 101	6.30 / 160	61						
1 / 25	150 / 20	1.00 / 25	5.00 / 127	2.13 / 54	2.66 / 68	4.25 / 108	7.09 / 180	110						
	300 / 50	1.00 / 25	6.50 / 165	2.44 / 62	2.66 / 68	4.25 / 108	7.09 / 180	110						
1 1/2 / 40	150 / 20	1.50 / 38	6.50 / 165	2.50 / 64	3.57 / 91	4.78 / 121	11.02 / 280	260						
	300 / 50	1.50 / 38	7.80 / 190	3.06 / 78	3.57 / 91	4.78 / 121	11.02 / 280	260						
2 / 50	150 / 20	2.00 / 50	7.00 / 178	3.00 / 76	3.92 / 100	5.12 / 130	11.02 / 280	480						
	300 / 50	2.00 / 50	8.50 / 216	3.25 / 83	3.92 / 100	5.12 / 130	11.02 / 280	480						
2 1/2 / 65	150 / 20	2.50 / 64	7.50 / 190	3.50 / 89	4.80 / 122	5.83 / 148	14.17 / 360	800						
	300 / 50	2.50 / 64	9.50 / 241	3.75 / 95	4.80 / 122	5.83 / 148	14.17 / 360	800						
3 / 80	150 / 20	3.00 / 76	8.00 / 203	3.75 / 95	5.20 / 132	6.22 / 158	14.17 / 360	1150						
	300 / 50	3.00 / 76	11.12 / 283	4.13 / 105	5.20 / 132	6.22 / 158	14.17 / 360	1150						
4 / 100	150 / 20	3.94 / 100	9.00 / 229	4.50 / 115	7.07 / 180	7.87 / 200	17.72 / 450	2110						
	300 / 50	3.94 / 100	12.00 / 305	5.00 / 127	7.07 / 180	7.87 / 200	17.72 / 450	2110						
6 / 150	150 / 20	5.91 / 150	15.50 / 394	5.50 / 140	8.60 / 219	9.41 / 239	17.72 / 450	5070						
	300 / 50	5.91 / 150	15.88 / 403	6.25 / 159	8.60 / 219	9.41 / 239	17.72 / 450	5070						

NOTE: "L" DIMENSION ± 0.06 in./1.5 mm