

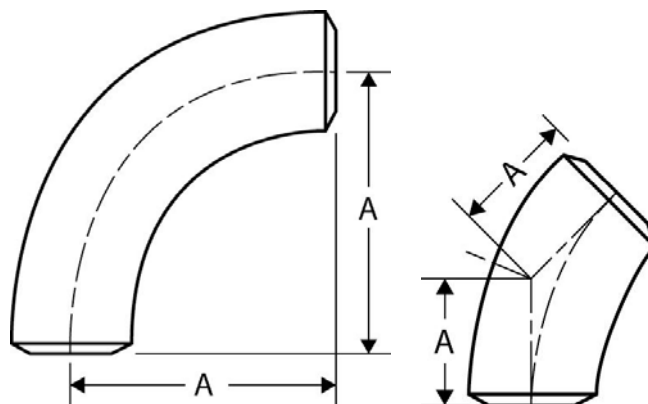
The Best Products, The Best Service...

SERVICE METAL

ONE CALL GETS IT ALL



3R Elbows – 90° and 45°
**STANDARD WEIGHT
 AND EXTRA STRONG**
 Inches / Pounds



Nominal Pipe Size	Nominal Wall Thickness		90° 3R Elbows			45° 3R Elbows		
	Standard Wall	Extra Strong Wall	Center to End (A)	Approx. Weight, lbs.		Center to End (A)	Approx. Weight, lbs.	
				Standard Wall	Extra Strong		Standard Wall	Extra Strong
2	.154	.218	6	3.0	4.0	2.5	1.5	2.0
3	.216	.300	9	9.2	12.4	3.75	4.6	6.1
4	.237	.337	12	17.5	24.1	5	8.7	11.9
6	.280	.432	18	48	64	7.5	24	34
8	.322	.500	24	92	140	10	46	69
10	.365	.500	30	164	221	12.5	81.5	109
12	.375	.500	36	241	317	15	119	157
14	.375	.500	42	309	407	17.5	154	202
16	.375	.500	48	405	534	19.875	201	265
18	.375	.500	54	514	679	22.375	256	338
20	.375	.500	60	637	841	24.875	317	419
22	.375	.500	66	771	1,020	27.3125	385	508
24	.375	.500	72	920	1,220	29.8125	458	606
26	.375	.500	78	1,081	1,430	32.3125	539	713
30	.375	.500	90	1,441	1,910	37.25	720	953
34	.375	.500	102	1,854	2,464	42.25	926	1,230
36	.375	.500	108	2,082	2,764	44.6875	1,040	1,380
42	.375	.500	126	2,835	3,768	52.1875	1,416	1,883

* Dimensions conform to ASME B16.9 & material conforms to ASTM SA-234 Grade B.